

**DISPOSAL****Environmental protection**

Discarded electric appliances are recyclable and should not be discarded in the domestic waste! Please actively support us in conserving resources and protecting the environment by returning this appliance to the collection centres.

yyWxx

yyWxx: Manufacturing date code; year of manufacturing (20yy) and week of manufacturing (Wxx).

**Manufacturer, Fabricant, Producent,  
Hersteller, Producător, Fabricante:**

Kingfisher International Products Limited  
3 Sheldon Square  
London  
W2 6PX  
United Kingdom

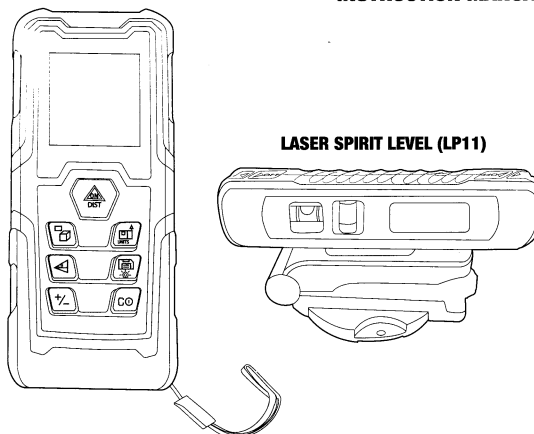
EN

Distributor: **B&Q** plc,  
Chandlers Ford, Hants,  
SO53 3LE United Kingdom  
www.diy.com

EN

**SFD Limited**  
Trade House, Mead Avenue  
Yeovil  
BA22 8RT, United Kingdom

# TITAN®

**INSTRUCTION MANUAL****LASER SPIRIT LEVEL (LP11)****LASER DISTANCE METER (MK8-50)**

Barcode: 3601652805172

**LASER METER WITH LEVEL SET****LASER METER WITH LEVEL SET**



Thanks for your purchase of this TITAN® product.

Read this instruction manual carefully before using the product. Familiarise yourself with the operation, adjustments and functions of switches. Internalise and follow the safety and operation instructions in order to avoid possible risks and hazards.

Keep this instruction manual for future use. Should this product be passed on to a third party, then this instruction manual must be included.

#### WARRANTY

2-years warranty coverage from product's purchase date.

The warranty covers appliance failures and malfunctions if the product is used as intended and in accordance with the information provided in the user's manual.

To be covered under the warranty, proof of purchase is required (sales receipt or invoice) and the product must include all its accessories.

The warranty clause does not cover deteriorations arising from normal wear, lack of maintenance, negligence, defective assembly, or abnormal use (impacts, non-compliance with the recommendations on power supply, storage, conditions of use, etc.).

Adverse effects in the event of using non-original or unsuitable accessories, or spare parts or dismantling or altering the appliance, are also excluded from the warranty.

This guarantee does not affect your statutory rights.

#### SAFETY INSTRUCTIONS

##### Warning! Danger of permanent eye injury!

- Laser radiation! Do not stare into beam.
- Class II laser product.

- This product is not intended for use by persons (including children) with reduced physical, sensory, or mental capabilities, or by those who lack experience and knowledge, unless they have been given supervision and instruction concerning the use of the product by a person responsible for their safety.
- This product is not a toy and should not be used by children.
- Keep the product away from children and pets.
- **Never use a damaged appliance!** Do not attempt to repair the product yourself. In case of malfunction, repairs are to be conducted by qualified personnel only.
- No liability will be accepted for damage resulting from improper use or non-compliance with these instructions.
- Do not open the product casing under any circumstances. Do not insert any foreign objects into the inside of the casing.
- Never use accessories which are not recommended by the manufacturer. They could present a safety risk to the user and might damage the appliance. Only use original parts and accessories.
- Do not operate the product in combustible areas such as in the presence of flammable liquids, gasses or dust.
- **Warning!** Do not immerse the electrical/optical parts of the product in water or other liquids. Never hold the product under running water.
- Do not use the product in sunlight or similar bright lighting conditions.
- Do not attempt to modify the product in any way to avoid possible laser radiation hazard.
- Avoid exposing the product to shock, continuous vibration or extreme hot or cold temperatures. Damage to the tool and/or serious injury to the user could result.
- Do not point the laser beam at people or animals.
- Do not look into the laser beam directly or through optical instruments.

LASER METER WITH LEVEL SET

LASER METER WITH LEVEL SET

**SAFETY INSTRUCTIONS**

- Do not point the laser beam at reflecting surfaces that can reflect the beam back towards the user.
- While in use, mind the laser beam emission and standbys nearby in the workplace to avoid any eye damage.
- Do not place the product in a position that may cause anyone to stare into the laser beam intentionally or unintentionally. Serious eye injury could result.
- Do not operate the laser product around children or allow children to operate the tool. Serious eye injury could result.
- Always turn the laser product off when not in use. Leaving the tool on increases the risk of someone inadvertently staring into the laser beam.
- The operation of this product together with other optical instruments will increase the harm to human eyes.
- Do not touch the lens of the product.
- Do not remove or deface any product labels. Removing product labels increases the risk of exposure to laser radiation.
- Handle the laser product with care. Treat it as you would any other optical device such as a camera or binoculars.
- When using the base (for model LP11 only), always ensure the laser meter is securely seated. Damage to the tool and/or serious injury to the user could result if the meter falls.

**Battery warnings**

- Do not expose batteries to extreme temperatures, like direct sunlight or fire. Do not place the product on any heat source. Leaking battery acid may cause harm.
- Always insert batteries correctly with regard to the polarities (+ and -) marked on the battery and the battery compartment.
- **Caution!** Danger of explosion if batteries are incorrectly replaced.
- Replace batteries only with the same or equivalent type.
- Do not mix old and new batteries or batteries of different types or brands.
- If batteries should leak, remove them with a cloth from the battery compartment. Dispose of batteries according to the regulations. If battery acid has leaked avoid contact to skin, eyes and mucous membranes. Rinse affected areas immediately after contact with the acid and wash with plenty of clean water. Visit a physician.

**SAFETY INSTRUCTIONS**

- Swallowed batteries are lethal. Keep batteries out of reach of children and pets. Immediately ask for medical assistance if a battery is swallowed.
- Do not allow children to replace batteries without adult supervision.
- Batteries shall be stored in well-ventilated, dry and cool conditions.
- Remove the batteries if you will not be using the product for an extended period of time.
- **Danger of explosion!** The batteries may not be charged, re-activated by other means, disassembled, thrown into fire or short-circuited.
- Exhausted batteries should be immediately removed from equipment and properly disposed of.



**Tip:** As a combination manual of models LP11 and MK8-50, some parts are universal. Model-specific parts are marked clearly throughout the manual.

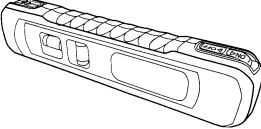
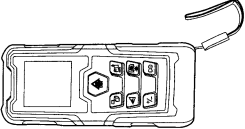
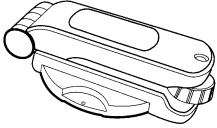
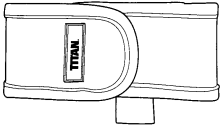

**INTENDED USE**

Model LP11	Model MK8-50
<ul style="list-style-type: none"> <li>• Horizontal alignment: Align picture frames or shelves alongside the horizontal laser line.</li> <li>• Vertical alignment: Align top and base cabinets alongside the vertical laser line.</li> <li>• Alignment of reference points: Align the laser line alongside your reference points.</li> <li>• Laser point use together with a tripod</li> <li>• Functioning as a spirit level: Check vertical and horizontal lines.</li> </ul>	<ul style="list-style-type: none"> <li>• Instant measurement of distance, area &amp; volume.</li> <li>• Indirect measurement using Pythagorean Theorem</li> <li>• Continuous measurement</li> <li>• Easy addition/subtraction of measurement</li> <li>• <b>Max/Min</b> measurement</li> <li>• Useful and convenient with wide variety of applications in areas such as rooms, apartments, buildings, real estates, factories, warehouses, gardens, roads, infrastructures, etc.</li> </ul>

**LASER METER WITH LEVEL SET**

**LASER METER WITH LEVEL SET**

## SCOPE OF DELIVERY

Model LP11	Model MK8-50
 Laser spirit level (1x)	 Laser distance meter (1x)
 Multi-function base (1x)	 Pouch bag (1x)
 Instruction manual (1x)	

## UNPACKING

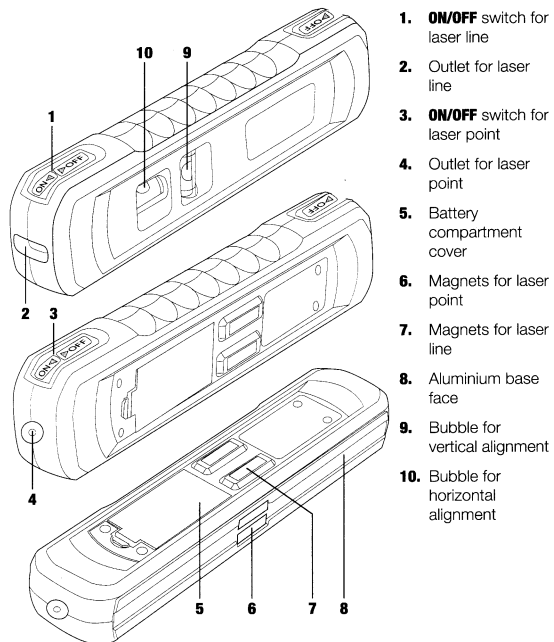
- Remove all packaging materials and retain for future use.



**Warning!** Packaging materials are not toys. Children should not play with the packaging materials, as they pose a risk of swallowing and suffocation!

- Check for completeness and transport damage. In case of damages or incomplete delivery, please contact your retailer (→ Guarantee).

## PART LIST (FOR MODEL LP11)

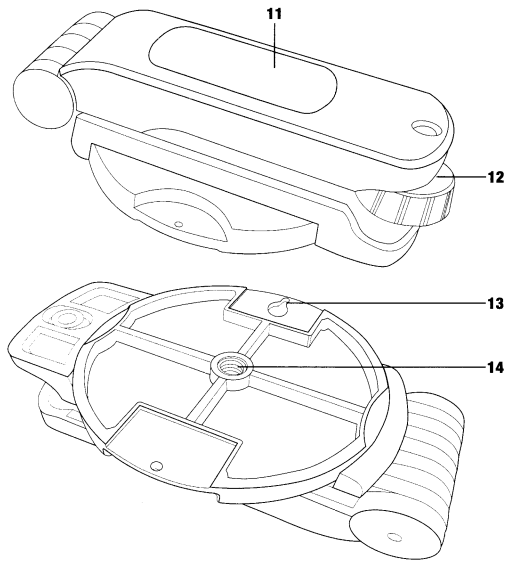


- 1.** ON/OFF switch for laser line
- 2.** Outlet for laser line
- 3.** ON/OFF switch for laser point
- 4.** Outlet for laser point
- 5.** Battery compartment cover
- 6.** Magnets for laser point
- 7.** Magnets for laser line
- 8.** Aluminium base face
- 9.** Bubble for vertical alignment
- 10.** Bubble for horizontal alignment

**LASER METER WITH LEVEL SET**

**LASER METER WITH LEVEL SET**

## PART LIST (FOR MODEL LP11)



11. Metal surface for magnets

13. Hanging hole

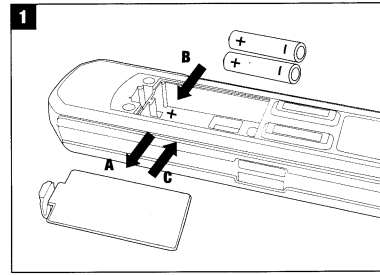
12. Adjusting screw

14. M6.35x1.25 thread for tripod

## USING THE METER (FOR MODEL LP11)

## Inserting batteries

- For operation of the meter, 2 x 1.5 V ----- batteries (Type: LR03/AAA) are needed (not supplied).
- Remove the battery compartment cover on the meter's bottom (Fig. 1A).
- Insert the batteries while observing the polarity markings on the batteries and battery compartment (Fig. 1B).
- Close the battery compartment cover (Fig. 1C).



## Caution!

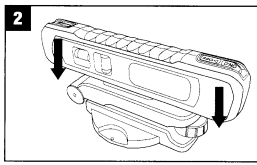
- Use batteries of high quality only. Batteries of low quality might leak and cause damage.
- Remove the batteries, if the meter is not to be used for an extended period of time, as it might be damaged by a leaking battery.
- If the meter does not work properly, replace with new batteries of same type immediately.

LASER METER WITH LEVEL SET

LASER METER WITH LEVEL SET

**USING THE METER (FOR MODEL LP11)****Switching on/off**

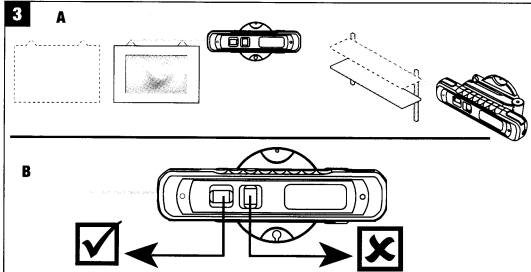
- Fix the meter to the multi-function base using the magnets (Fig. 2).
- Switching on the meter in line/point operation: Set the corresponding **ON/OFF** switch to **ON**.
- Switching off the meter: Set the corresponding **ON/OFF** switch to **OFF**.



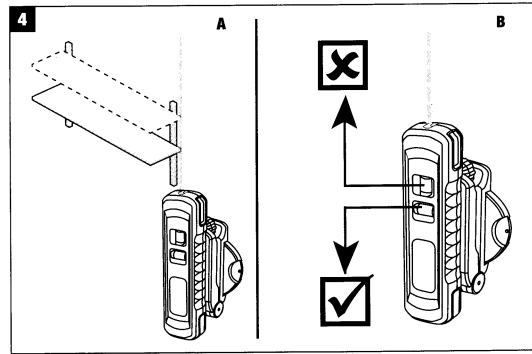
**Caution!** Always switch the meter off when not in use. Leaving the tool switched on increases the risk of someone inadvertently staring into the laser beam.

**Laser line operation**

- Horizontal alignment: Hold the meter horizontally.
  - With this function, you can check if the picture frames or shelves are level alongside the horizontal laser line (Fig. 3A).
  - While observing the horizontal line, ensure to check if the bubble inside the horizontal spirit level is centered, instead of the one inside the vertical spirit level (Fig. 3B).

**USING THE METER (FOR MODEL LP11)**

- Vertical alignment: Hold the meter vertically.
  - With this function, you can check if the cabinet top and base are upright alongside the vertical laser line (Fig. 4A).
  - While observing the vertical line, ensure to check if the bubble inside the vertical spirit level is centered, instead of the one inside the horizontal spirit level (Fig. 4B).

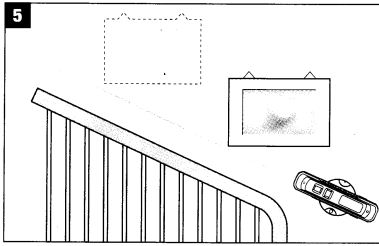


**LASER METER WITH LEVEL SET**

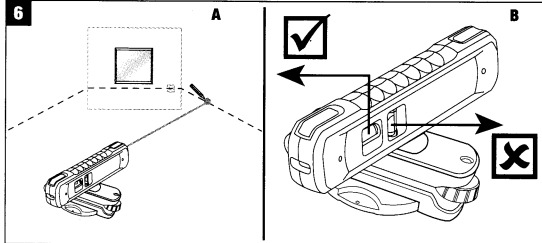
**LASER METER WITH LEVEL SET**

**USING THE METER (FOR MODEL LP11)**

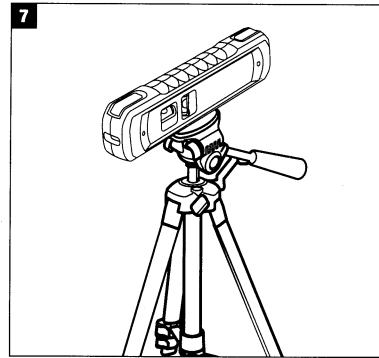
- Alignment of reference points (Fig. 5): Turn the meter to a desired angle to project the laser line alongside your reference points. With this function, you can check if the picture frames are parallel with stairs or the incline of a roof.

**Laser point operation**

- Rotate the upper part of the base, instead of the meter, to project the laser point to the desired points on different surfaces to check if the points are at the same height (Fig. 6A). Ensure to check if the bubble inside the horizontal spirit level is centered (Fig. 6B).

**USING THE METER (FOR MODEL LP11)****Working with a tripod**

- A tripod offers a stable, height-adjustable measuring support.
- The multi-function base has a standard M6.35x1.25 thread for attaching to a tripod (not included) (Fig. 7). This is ideal for levelling kitchen cabinets, counter tops, window framing, and so on.

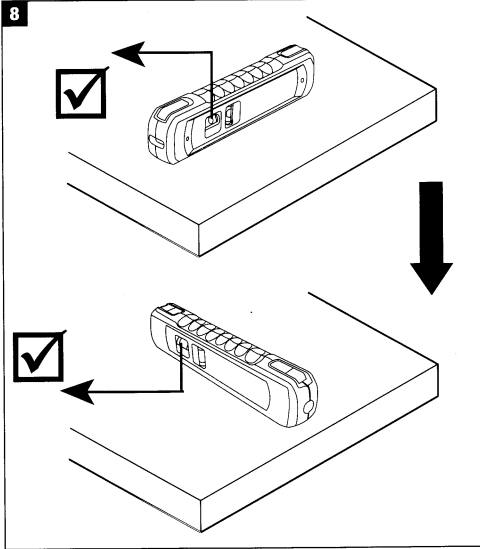
**LASER METER WITH LEVEL SET****LASER METER WITH LEVEL SET**

### USING THE METER (FOR MODEL LP11)

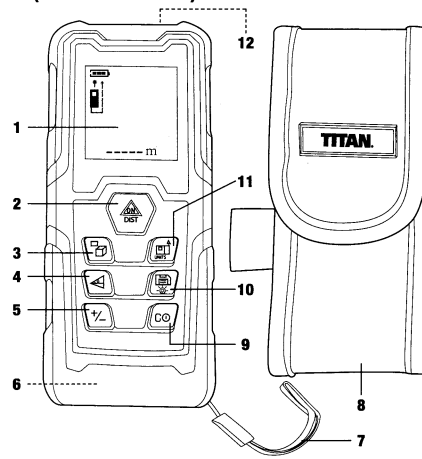
#### Functioning as a spirit level

The meter can also be used as a carpenter's spirit level for checking vertical and horizontal surface levelness. If the surface is level, the bubble inside the spirit level will remain stably at the centre.

1. Switching off the meter: Set the two **ON/OFF** switches to **OFF**.
2. For each surface, ensure to follow the two steps as illustrated (Fig. 8).



### PART LIST (FOR MODEL MK8-50)



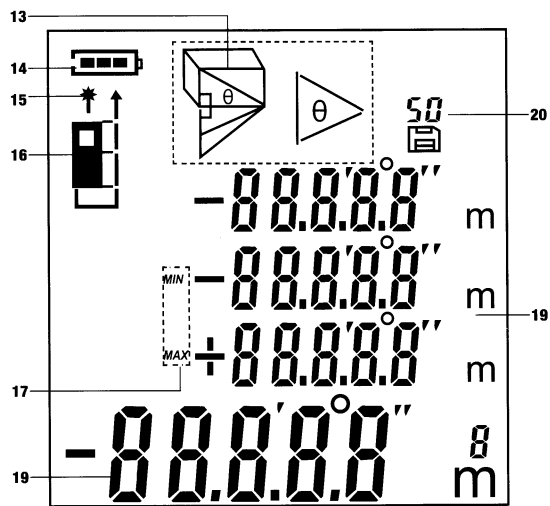
- |    |                              |     |   |
|----|------------------------------|-----|---|
| 1. | Display                      | 7.  | Wrist strap                                 |
| 2. | Power on / start measurement | 8.  | Pouch bag                                   |
| 3. | Area/volume measurement      | 9.  | Exit / power off                            |
| 4. | Pythagorean measurement      | 10. | Read stored data / switch backlight on/off  |
| 5. | Addition/subtraction         | 11. | Set measurement reference / unit conversion |
| 6. | Battery compartment cover    | 12. | Laser emission outlet                       |

LASER METER WITH LEVEL SET

LASER METER WITH LEVEL SET



## PART LIST (FOR MODEL MK8-50)

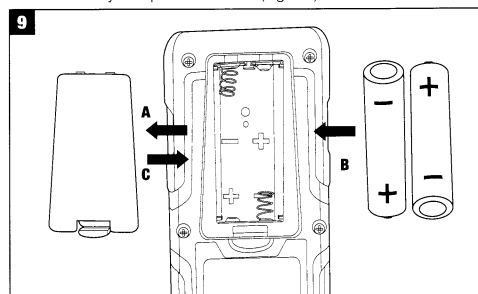


- |                                |                                |
|--------------------------------|--------------------------------|
| 13. Measurement mode icon      | 18. Master measurement data    |
| 14. Battery level icon         | 19. Auxiliary measurement data |
| 15. Laser emission icon        | 20. Stored data icon           |
| 16. Measurement reference icon |                                |
| 17. MIN/MAX icon               |                                |


## USING THE METER (FOR MODEL MK8-50)

## Inserting batteries

- For operation of the meter, 2 x 1.5 V (Type: LR03/AAA) are needed (not supplied).
- Remove the battery compartment cover on the meter's bottom (Fig. 9A).
- Insert the batteries while observing the polarity markings on the batteries and battery compartment (Fig. 9B).
- Close the battery compartment cover (Fig. 9C).



## Caution!


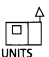




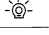

- Use batteries of high quality only. Batteries of low quality might leak and cause damage.
- Remove the batteries, if the meter is not to be used for an extended period of time, as it might be damaged by a leaking battery.
- If the meter does not work properly or the low battery icon  is shown, replace with new batteries of same type immediately.

LASER METER WITH LEVEL SET

LASER METER WITH LEVEL SET


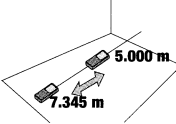
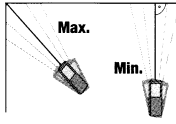

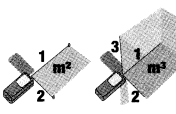
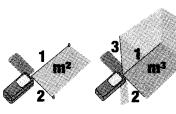

### USING THE METER (FOR MODEL MK8-50)

#### Using buttons for basic functions

Button	Descriptions
	Press 1x: Switching on the laser function and entering standby. Press 2x: Start measurement.
+/-	Press quickly: Entering measurement based on cumulative addition or subtraction.
	Press 1x: Pre-reference 
	Press 2x: Post-reference 
	Press 3x: Extended reference 
	Press quickly: Recalling stored measurement data.
	Press and hold: Switching on/off backlight of the display.
	Press quickly: Exiting the current mode and returning to standby.
	Press and hold: Switching off the meter.

### USING THE METER (FOR MODEL MK8-50)

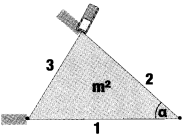

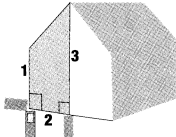

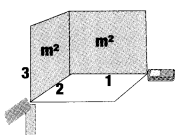

#### Using buttons for measurement

Button	Measurement mode & Indicator	Descriptions
		Single measurement Press once to switch on the laser function and enter standby. Press again while aiming at the target to start measurement.
		Continuous measurement Press button continuous to start continuous measurement; For dimension selected for a fixed position, use the continuous measurement to find the point of desired distance or to find the <b>Max</b> and <b>Min</b> values.
		Rectangular area measurement Press to select area measurement mode or cubic volume measurement mode.
		Cubic volume measurement Press  button repeatedly to get measurements.

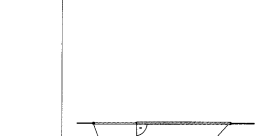
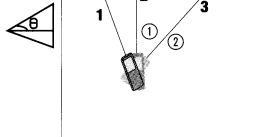

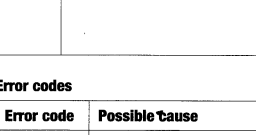
LASER METER WITH LEVEL SET

LASER METER WITH LEVEL SET

## USING THE METER (FOR MODEL MK8-50)

Button	Measurement mode & Indicator	Descriptions
		<p>Triangle area measurement</p> <p>Press to select triangle area measurement mode. Press  button repeatedly to measure the 3 sides of the triangle, and thus the area of it.</p>
		<p>Right trapezoidal area measurement</p> <p>Press to select right trapezoidal area measurement mode. Press  button repeatedly to measure the 3 sides of the trapezoidal, and thus the area of it.</p>
		<p>Accumulative area measurement</p> <p>Press to select accumulative area measurement mode. Press  button repeatedly to get the measurements.</p>
<p><b>Notes:</b></p> <ul style="list-style-type: none"> <li>Under the triangle area measurement mode, ensure the 3 points are correctly located when placing the meter.</li> <li>Under the right trapezoidal area measurement mode, ensure the 3 sides to be measured are mutually perpendicular.</li> </ul>		

## USING THE METER (FOR MODEL MK8-50)

Button	Measurement mode & Indicator	Descriptions
		<p>Pythagorean theorem measurement</p> <p>Press to enter corresponding Pythagorean theorem measurement mode.</p>
		<p>Dual Pythagorean theorem + measurement</p> <p>Press  button repeatedly to get the measurements.</p>
		<p>Dual Pythagorean theorem - measurement</p>

## Error codes

Error code	Possible cause	Solution
<b>Err01</b>	Reflected laser signal too strong.	Change to another target or place a piece of white paper on the target.
<b>Err03</b>	Reflected laser signal too weak.	
<b>Err02</b>	Measurement beyond the effective working range.	Measure within the effective working range.
<b>Err06</b>	Low battery	Replace with new batteries.

LASER METER WITH LEVEL SET

LASER METER WITH LEVEL SET

## TROUBLESHOOTING

Problem	Possible cause	Solution
Meter cannot start.	Batteries incorrectly inserted.	Re-insert batteries correctly (→ <b>Inserting batteries</b> ).
	Low battery	Replace with new batteries.
Laser line hard to see.	Light in area is too bright.	Use in dimmer area.
Meter ticks during use (for MK8-50).	This is normal, indicating the meter's inner mechanism is working during measurement.	
Laser line not level (for LP11).	Level bubbles not properly aligned.	Make sure level bubbles are centred.
	Meter is mounted on an uneven base.	Make sure levelling bubbles are level after mounting.
Laser line is horizontal while a vertical line is desired (for LP11).	Laser meter is in the incorrect position.	Turn the meter 90° to the vertical orientation.

## CLEANING AND CARE

**Caution!**

- Always switch the meter off before cleaning and care!
- When cleaning, ensure no water enters the product.
- Never use corrosive or volatile cleansers for cleaning.

Parts	How to clean...
Casing	<ul style="list-style-type: none"> <li>• Clean with a slightly damp cloth.</li> </ul>
Optical parts (e.g. laser lens)	<ul style="list-style-type: none"> <li>• Clean with a soft cloth or cotton bud slightly moistened with distilled water or alcohol.</li> </ul>

## CLEANING AND CARE

- After cleaning, let all parts dry well.
- Protect the lens from dust or scratches. Treat the optical parts the same way as spectacles and cameras.
- Store the product in its original package, away from children and pets.
- For MK8-50 meter, store it in the supplied pouch bag.

## TECHNICAL DATA

Model number		
Power supply	3 V , 2 x 1.5 V  batteries (Type: LR03/AAA) (not include)	
Batter set life	≤ 5000 measurements	
Laser class	Class II	
Laser type	650 nm, < 1 mW	635 nm, ≤ 1 mW
Working range	5 m (Laser line)	0.05 - 50 m
	20 m (Laser point)	
Measuring accuracy	± 1.0 mm/m (spirit level)	± 2 mm, at increment of 0.05 mm/m
Working temp.	5 - 40 °C	0 - 40 °C
Dimensions (L x W x H)	159 x 36 x 25 mm	122 x 52 x 26 mm
Weight	100 g	105 g
Auto-off	/	20 sec (Laser) 5 min (Meter)
Data records	/	≤ 50 records

LASER METER WITH LEVEL SET

LASER METER WITH LEVEL SET